

Made entirely of PTFE, PFA, and PCTFE, the Model F flow meter is excellent for high-purity applications or use with corrosive liquids.

Units are available with a standard valve to monitor and control flow or without a valve to just monitor flow.

Flow meters are individually tested on a Mass Spectrometer Leak Detector and certified to a leak integrity rating of  $1 \times 10^{-7}$  sccs Helium or better.

## design features

- ✓ Chemically inert wetted components.
- ✓ Removable protective shield.
- ✓ Individually leak tested.

### SPECIFICATIONS

<b>SCALES</b>	Direct reading scales for liquids with 1.0 specific gravity.
<b>ACCURACY</b>	±5% of full scale.
<b>MAXIMUM TEMPERATURE</b>	250 °F (121 °C).
<b>MAXIMUM PRESSURE</b>	100 psig (6.7 bars).
<b>LEAK INTEGRITY</b>	Individually, leak tested and certified to a rating of $1 \times 10^{-7}$ sccs of Helium.

### \*\*MATERIALS OF CONSTRUCTION

<b>TUBE SHIELDS</b>	Polycarbonate.
<b>FLOW TUBES</b>	PFA.
<b>FLOATS</b>	PTFE.
<b>WETTED PARTS</b>	PTFE end fittings. PCTFE guide rods.



*\*\*The selection of materials of construction, is the responsibility of the customer. The company accepts no liability.*

# F

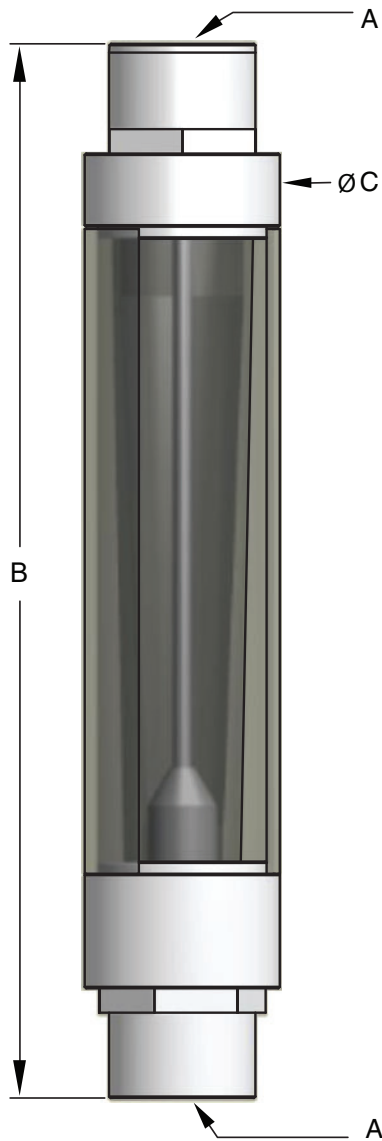
## IN LINE PTFE FLOW METER

**F STYLE IN LINE PTFE FLOW METER  
DIMENSIONS NO VALVE OPTION**

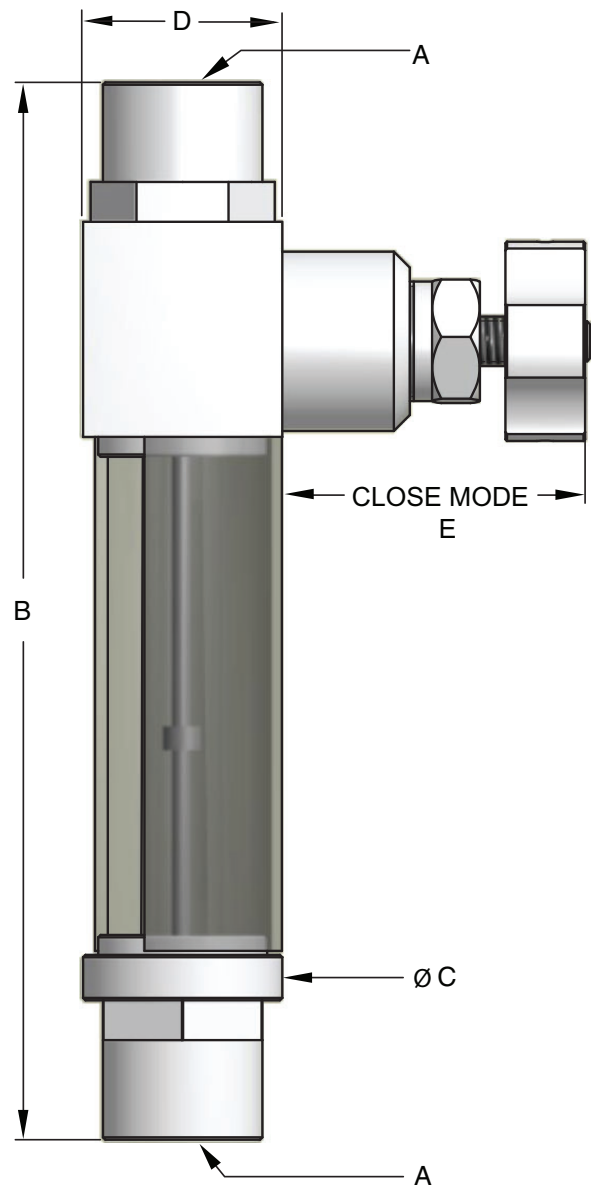
	A	B	C
<b>F3C</b>	1/4 FNPT	5.52" (140.2 mm)	1.25" (31.8 mm)
<b>F3D</b>	3/8 FNPT	5.52" (140.2 mm)	1.25" (31.8 mm)
<b>F3E</b>	1/2 FNPT	10.81" (274.6 mm)	2.00" (50.8 mm)
<b>F3F</b>	3/4 FNPT	10.81" (274.6 mm)	2.00" (50.8 mm)

**F STYLE IN LINE PTFE FLOW METER  
DIMENSIONS VALVE OPTION**

	A	B	C	D	E
<b>F6C</b>	1/4 FNPT	5.52" (140.2 mm)	1.25" (31.8 mm)	1.25" (31.8 mm)	1.88" (47.8 mm)
<b>F6D</b>	3/8 FNPT	5.52" (140.2 mm)	1.25" (31.8 mm)	1.25" (31.8 mm)	1.88" (47.8 mm)
<b>F6E</b>	1/2 FNPT	10.81" (274.6 mm)	2.00" (50.8 mm)	2.00" (50.8 mm)	1.88" (47.8 mm)
<b>F6F</b>	3/4 FNPT	10.81" (274.6 mm)	2.00" (50.8 mm)	2.00" (50.8 mm)	1.88" (47.8 mm)



**In Line PTFE Flow Meter  
No Valve Option**



**In Line PTFE Flow Meter  
Valve Option**



## F STYLE LOW RANGE METERS

MODEL NUMBER		CONNECTION	MAXIMUM FLOW	
BUILT IN VALVE	NO VALVE		[mL/min] WATER	[gph] WATER
<b>F6C-F01-01-TF</b>	F3C-F01-01-TF	1/4" FNPT	125	1.98
<b>F6C-F02-01-TF</b>	F3C-F02-01-TF	1/4" FNPT	250	3.96
<b>F6C-F03-01-TF</b>	F3C-F03-01-TF	1/4" FNPT	400	6.34
<b>F6C-F04-01-TF</b>	F3C-F04-01-TF	1/4" FNPT	500	7.92
<b>F6C-F05-01-TF</b>	F3C-F05-01-TF	1/4" FNPT	1000	15.85
<b>F6D-F06-01-TF</b>	F3D-F06-01-TF	3/8" FNPT	2000	31.69
<b>F6D-F07-01-TF</b>	F3D-F07-01-TF	3/8" FNPT	2500	39.62
<b>F6D-F08-01-TF</b>	F3D-F08-01-TF	3/8" FNPT	3000	47.54
<b>F6D-F09-01-TF</b>	F3D-F09-01-TF	3/8" FNPT	5000	79.23

## F STYLE HIGH RANGE METERS

MODEL NUMBER		CONNECTION	MAXIMUM FLOW	
BUILT IN VALVE	NO VALVE		[L/min] WATER	[gpm] WATER
<b>F6E-F10-01-TF</b>	F3E-F10-01-TF	1/2" FNPT	13	3.43
<b>F6E-F11-01-TF</b>	F3E-F11-01-TF	1/2" FNPT	20	5.28
<b>F6F-F12-01-TF</b>	F3F-F12-01-TF	3/4" FNPT	30	7.93
<b>F6F-F13-01-TF</b>	F3F-F13-01-TF	3/4" FNPT	40	10.57
<b>F6F-F14-01-TF</b>	F3F-F14-01-TF	3/4" FNPT	45	11.89