



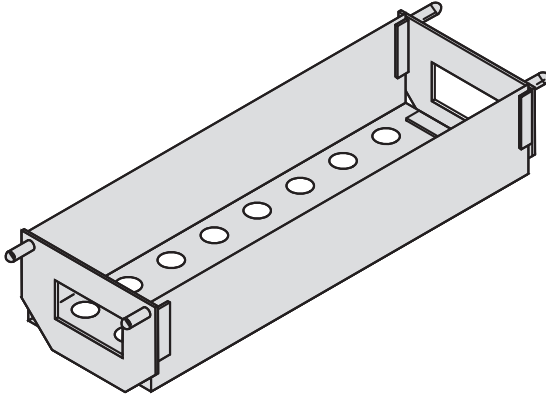
INTER DYNE
SYSTEMS

Inter Dyne Systems, Inc.
676 Ellis Road
Norton Shores, MI 49441
Ph: 877.4ss.labs
www.interdynesystems.com

Pegboard Accessories

Drain Basket

Model# DB-12



Features

- 12.625" w x 2.5" h x 3.75" d
- Mounts on pegboard using 2 SP-4 support pegs
- Autoclavable
- Constructed from 20 gauge, type 304 stainless steel, polished to a #4 finish
- Shipped with 2 SP-4 pegs & 1 HP-1 hole plugs to mount on pegboard

Product Dimensions

