

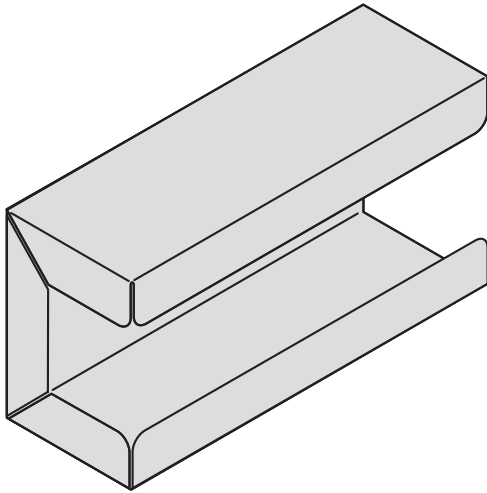


Inter Dyne Systems, Inc.  
676 Ellis Road  
Norton Shores, MI 49441  
Ph: 877.4ss.labs  
www.interdynesystems.com

## Pegboard Accessories

## Glove Box Dispenser

Model# GD-10



### Features

- 9.75" w x 5.50" h x 3.75" d
- Holds most standard disposable glove boxes
- Constructed from 18 gauge, type 304 stainless steel, polished to a #4 finish
- Shipped with bracket to mount on pegboard or can be wall mounted

### Product Dimensions

