



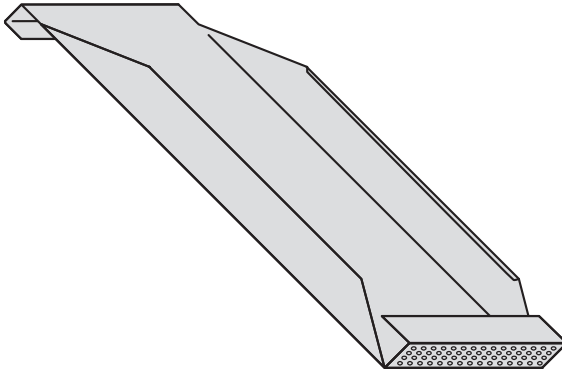
INTER DYNE
SYSTEMS

Inter Dyne Systems, Inc.
676 Ellis Road
Norton Shores, MI 49441
Ph: 877.4ss.labs
www.interdynesystems.com

Pegboard Accessories

Pipette Rack

Model# PR-12



Features

- 3.813"w x 12.50"h x 2.25"d
- Constructed from 20 gauge, type 304 stainless steel, polished to a #4 finish
- Shipped with 3 SP-4 pegs & 3 HP-1 hole plugs for mounting on pegboard

Product Dimensions

